

JAMES HARRIMAN – INPUT LIST (January 2019)

James Harriman – Input List (Full Band)

1	Kick			Finlay Bradley	
2	Snare			Finlay Bradley	
3	Rack Tom			Finlay Bradley	
4	Rack Tom 2			Finlay Bradley	
5	Floor Tom			Finlay Bradley	
6	Low Floor Tom			Finlay Bradley	
7	Hat			Finlay Bradley	
8	OH L			Finlay Bradley	
9	OH R			Finlay Bradley	
10	Bass Amp	DI or Mic		Ellis Tucker	
11	Electric Guitar		Fender Amp Preferred, We Can Provide If Needed	James Harriman	
12	Acoustic Guitar	DI (Jack)	DI Provided By Us,	James Harriman	
13	Mandolin	DI (Jack)		James Harriman	
14	Looper	DI (Jack)		James Harriman	
15	Lead Vox	SM 58		James Harriman	
16	Backing Vox	SM 58	Bass	Ellis Tucker	
17	Backing Vox	SM 58	Drums	Finlay Bradley	

Output List (Band)

1	On Stage Monitor (Left) (Provided By Venue)	For James, Lead Vox, Bass, Acoustic, Mandolin, Small Amount Of Backing Vox and Electric (May Ask For More Depending On Distance From Amp)	
2	On Stage Monitor (Right) (Provided By Venue)	For Ellis, Bass, Guitar, Backing Vox, A Bit Of Lead Vox	
3	On Stage Monitor (Drums) (Provided By Venue)	For Finlay, Lots Of Bass, Acc Gtr, Electric Guitar, Lead Vox, Small Amount Of Backing Vox and Mandolin	
4	In Ear Monitors (Provided By James)	Lot Of Looper, Small amount of Vocal and Acoustic Guitar	Send Signal From Desk/Monitor Desk Or

JAMES HARRIMAN - INPUT LIST (January 2019)

	(Not Used At Every Gig, We Will Make You Aware On The Night)	Send Signal Direct From Looper
--	--	--------------------------------

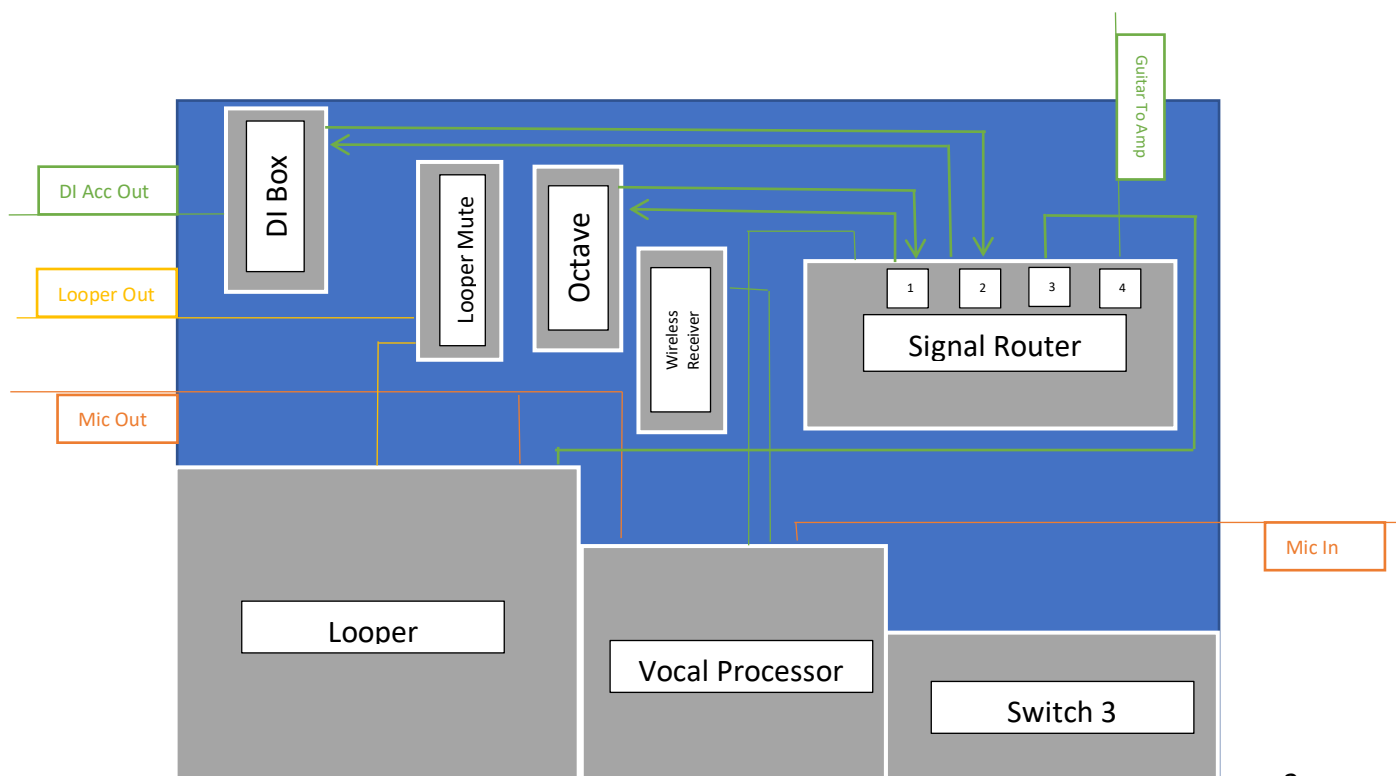
James Harriman – Input List (Solo)

1	Looper	DI	
2	Acoustic Guitar	DI (Provided By Us)	Make Sure There Is Enough Low End For The Octave Pedal To Work
3	Vocal	XLR	Will Come Through With FX So EQ In Soundcheck

Output List (Solo)

1	In Ear Monitors (Provided By James)	Lot Of Looper, Small Amount Of Vocal And Acoustic Guitar	Send Signal From Desk/Monitor Desk Or Send Signal Direct From Looper
2	On Stage Monitor (Provided By Venue)	Acoustic Guitar, Vocal, No Looper	

James Harriman Pedalboard Setup



Full Band Stage Plan

